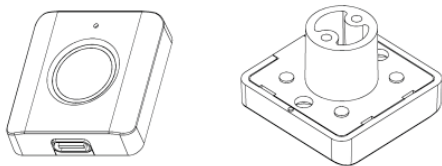
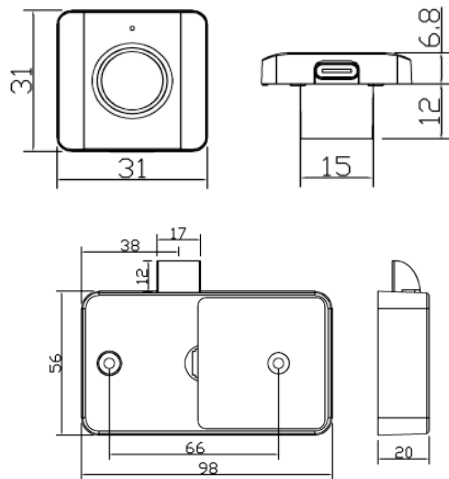


# Fingerprint Furniture Lock User's Guide



## 01/Panel lock box size Unit: mm



## 02/Instructions for use

Note: Any fingerprint can unlock the lock in the factory state, but other fingerprints cannot unlock the lock after being entered.

1. Fingerprint verification is successful: the green light turns on and the lock is unlocked;  
Fingerprint verification failed: the red light flashes three times.

### 2. Registration process

If the registration times out, you will exit. After exiting, you need to start again. The red light flashes when the registration times out.

- ① Entering 2 fingerprints consecutively for the first time
  - a. Press and hold until the blue and green light stays on; lift it up;
  - b. Start registering fingerprints;
  - c. Press the fingerprint continuously until the green light turns on and then stop, indicating that the first fingerprint is successfully registered;
  - d. After the first fingerprint is successfully registered, the blue light turns on. Change to the second finger and press continuously until the green light turns on, indicating that the second fingerprint is successfully registered.

### ② Add new fingerprint

- a. After successfully verifying the fingerprint, press and hold until the blue and green lights turn on, then lift;
- b. Start entering new fingerprints;
- c. Press the new fingerprint continuously until the green light turns on and then stop, indicating that the new fingerprint is successfully registered.

### 3. Restore factory settings

After restoring to factory settings, all fingerprints cannot be restored.

- a. After successfully verifying the fingerprint, press and hold until the blue and green light turns on (please press and hold, please do not lift up);
- b. The white light turns on (press and hold, do not lift);
- c. Release it until the red light turns on. The green light turns on once, indicating that all fingerprints have been cleared and the factory state has been restored.

## 4. Setting and using emergency unlocking password

- a. If the emergency unlocking password has not been set, the default password is 33. If it has been set, the default password is invalid.
- b. After restoring to factory status, the set password becomes invalid and becomes the default password.
- c. When the emergency unlocking password is set and used, it will exit when timeout occurs. You need to restart after exiting. The red light flashes once when the emergency unlocking password is set to time out, and the red light flashes twice when the emergency unlocking password is set to time out.

### ① Emergency unlocking password setting

- a. After the fingerprint is unlocked, press and hold until the blue light turns on (please press and hold, do not lift up), and then release until the white light turns on;
- b. After releasing, the green light turns on, and each fingerprint press counts (for example, pressing 5 times is the number 5), wait for the blue light to turn on after pressing the set number of times;
- c. After the blue light turns on, press the set number of times (for example, press 6 times to get the number 6). After pressing the set number of times, wait for the light to turn off.
- d. The number pressed by the green light and the number pressed by the blue light form a two-digit number (such as 56). Please remember your password.

### ② Emergency unlocking password usage

- a. When the fingerprint cannot unlock the lock normally, press and hold with any fingerprint until the white light flashes and then release;
- b. After releasing, the green light will light up, press the previously set number of times (for example, 5 times), and then wait for the blue light to light up;
- c. After the blue light turns on, press the set number of times (for example, 6 times), and then wait for the light to go out.
- d. If the red light flashes before the light goes out, it means the password is wrong; if the green light flashes, it means the password is correct.
- e. After the password is correct, the lock will automatically open and restore to factory status. You need to re-register the fingerprint.

## 03/Low battery warning

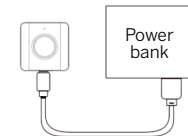
If the battery power is low, the green light flashes once when unlocking, then the red light flashes three times (indicating low power), and then the green light turns on to unlock. Replace the battery immediately after opening the door

Note: Use 4XAAA alkaline batteries, do not use carbon batteries

## 04/Emergency power supply

When the battery power is low, you can connect a power bank or mobile plug for external power supply.

After unlocking. Replace the battery immediately.



## 05/Technical parameters

Storage capacity	10 pieces
Store the number of presses in a single time	10 times
Sleep power consumption	Within 30mA
Operating Voltage	3.3-5.0V
Low voltage alarm	≤ 3.5V
emergency	Type-c